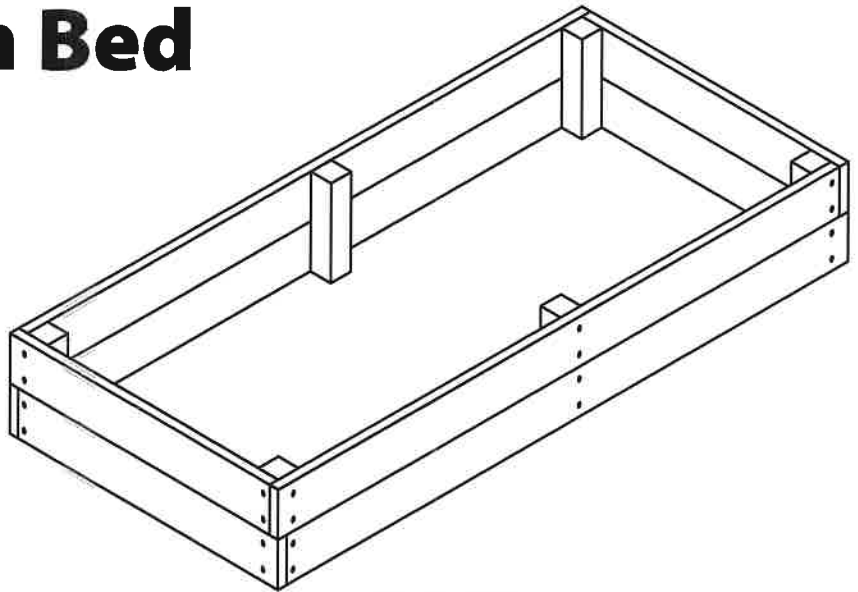


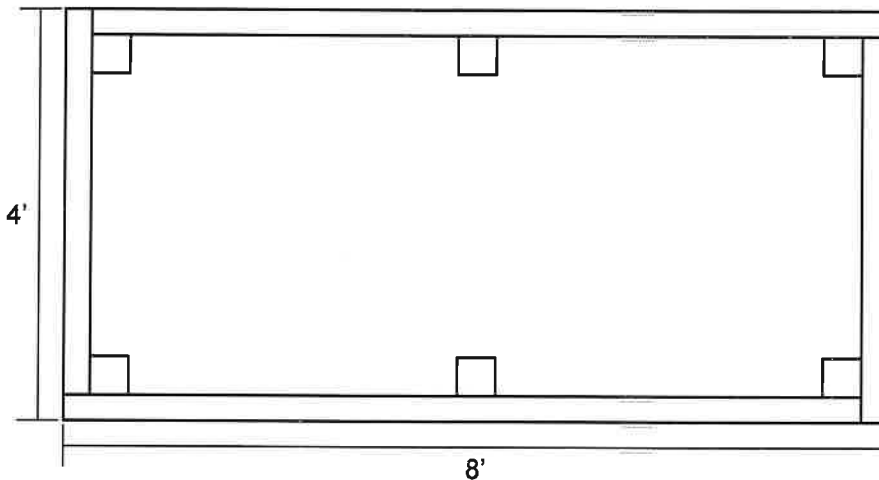
Raised Garden Bed

MATERIALS

- 6 - 2"x8"x 8' pressure treated boards
- 1 - 4"x4"x8' pressure treated post
- 1 box of 3" #8 galvanized all-purpose screws

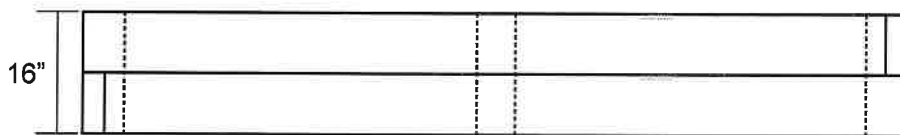


Top View



BUILDING STEPS

- Use 4 single 8' 2x8s for the long sides. Drill pilot holes in both ends of two side pieces where they will connect to the ends of the other two side pieces.
- Cut four lengths of 2 x 8 at 48" for the sides. You should be able to do this with a single eight foot board. Drill pilot holes in both ends of these pieces too.
- Connect the sides with 3" deck screws.
- Attach a piece of landscape fabric to the bottom edges using galvanized staples. Leave some slack in the fabric, allowing that the weight of the soil will stretch the fabric.
- Add soil and start planting!



Front View



Side View

Important Information

Do not burn preserved wood. • Wear a NIOSH N95 dust mask and goggles when cutting or sanding wood. • Wear gloves when working with wood. • Some preservative may migrate from the treated wood into soil/water or may dislodge from the treated wood surface upon contact with skin. Wash exposed skin areas thoroughly. • All sawdust and construction debris should be cleaned up and disposed of after construction. • Wash work clothes separately from other household clothing before reuse. • Preserved wood should not be used where it may come into direct or indirect contact with drinking water, except for uses involving incidental contact such as fresh water docks and bridges. • Do not use preserved wood under circumstances where the preservative may become a component of food, animal feed, or beehives. • Do not use preserved wood as mulch. • Only preserved wood that is visibly clean and free of surface residue should be used. • If the wood is to be used in an interior application and becomes wet during construction, it should be allowed to dry before being covered or enclosed. • Disposal Recommendations - Preserved wood may be disposed of in landfills or burned in commercial or industrial incinerators or boilers in accordance with federal, state, and local regulations. • If you desire to apply a paint, stain, clear water repellent, or other finish to your preservative treated wood, we recommend following the manufacturer's instructions and label of the finishing product. Before you start, we recommend you apply the finishing product to a small exposed test area before completing the entire project to insure it provides the intended result before proceeding. • Projects should be designed and installed in accordance with federal, state, and local building codes and ordinances governing construction in your area and in accordance with the National Design Specifications (NDS) and the Wood Handbook. • Mold growth can and does occur on the surface of many products, including untreated and treated wood, during prolonged surface exposure to excessive moisture conditions. To remove mold from the treated wood surface, wood should be allowed to dry. Typically, mild soap and water can be used to remove remaining surface mold.

For more information visit www.epa.gov. Use wood preservatives safely. Always read the label and product information before use.



MicroPro pressure treated wood products are treated with MicroPro Copper Azole. MicroPro treated wood products are produced by independently owned and operated wood treating facilities. MicroPro is a registered trademark of Koppers Performance Chemicals Inc. 5/2020

